



SMG95

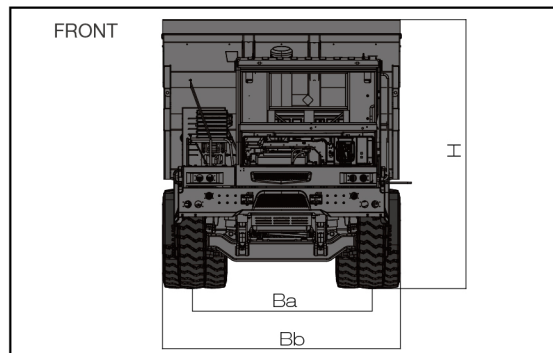
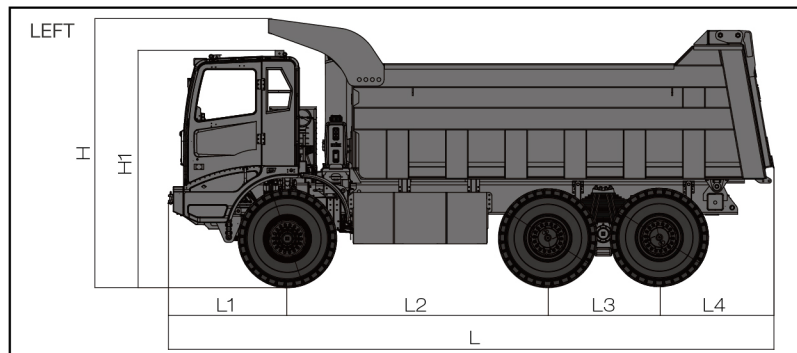
MINING DUMP TRUCK



SMG



MINING DUMP TRUCK



● Overall Dimension

L1 Front Overhang	1755mm
L2 First and Second Wheelbase	3800mm
L3 Second and Third Wheelbase	1600mm
L4 Rear Overhang	1890mm
L Max. Length	9045mm
H Max. Height	4050mm
H1 Cab Height	3475mm
Ba Wheel Tread	2820mm
Bb Overall Width	3460mm

● Technical Data of Mining Dump Truck

Model	Unit	Parameter
Left/Right Driving	/	L HD
Driving Mode	/	6×4
Gearbox	/	FC6A250 AT
Curb Weight	kg	33000
Rated Payload	kg	62000
Max. Speed	km/h	40
Min. Turning Radius	m	11.5
Gradeability	%	37
Displacement	L	12.54
Max.Power	kw	530HP
Max Torque	N·m	2300
Dimension	mm	9030×3460×4050
Wheelbase	mm	3800+1600
Min.Ground Clearance (Full Load)	mm	380
Approach /Departure Angle	°	28°/42°
Suspension Dimension(F/R)	mm	F: :1755, R: :1890
Forward Ratio	/	4.4/2.33/1.53/1/0.72/0.61
Reverse Ratio	/	-3.97
Suspension Type (F/R)	PCS	F: Hydro-pneumatic spring suspension R: Multi-spring(15 PCS)
Frame Dimension	mm	H480×w130, Thickness14
Overall Frame Width	mm	1150
Tyres	/	14.00R25
Axle Load	t	F: 25 R:35
Main Reducer Ratio	/	20.14
Brake Type	/	Drum Type
Cargo Volume	m ³	Flat Volume: 34

Sorin Manufacturing Group (SMG)

Address: 1St Floor, No.33, Zokaei Alley, Shariati St, TEHRAN, IRAN.

Telephone: +98 21 2285 61 90 **email:** Info@Sorinmg.com **fax:** +98 21 2670 24 85